

NEW

UNIQUE TWIN DIN ADAPTER SAVE TIME & MONEY ON INSTALLATION

This Twin Din connection is a unique adaptor for green & amber warning beacons that need to be mounted in order to meet Health & Safety requirements, saving time and money on installation.



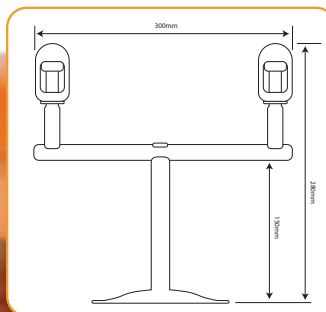
Ashtree now also offer a selection of popular LED beacons including DIN mounted beacons suitable for this application in green and amber colours, in addition to many standard DIN connectors.



Part number :
AVS-TPD100

Specification:

- Twin DIN connection
- 280mm(h) x 300mm(w)



This is the latest product from Ashtree Vision and Safety, one of Europe's premier designers and manufacturers of mirrors, mirror arms and specialists in warning and safety products. Ashtree have a mission to increase visibility and create solutions for blind spots on all types of vehicle and machine.

Ashtree are based in Yorkshire with over 40% of production exported to customers in Europe, Asia, Africa, North America and Australasia.

A lot has happened since we started our journey in 1977 but you can be confident that Ashtree has the product range to suit your vehicles.



Available from:



@Ashtreevision
e: info@avsuk.co
www.avsuk.co