

NEW

HEAVY DUTY ECE APPROVED HEAD LAMP WITH INDICATOR

We are pleased to introduce the combination driving light to our programme. This unit is ECE approved therefore suitable for on road & off road vehicles & features a built in DT 6 way connection for simple OE replacement.

Along with two mounting options, this light incorporates a moisture - eliminating breather, pilot light, and side repeater.

Part numbers:

AVS-ACC108

Head lamp with indicators - halogen 24v rear centre mount RH

AVS-ACC109

Head lamp with indicators - halogen 24v rear centre mount LH

AVS-ACC110

Head lamp with indicators - halogen 12v upright mount RH

AVS-ACC111

Head lamp with indicators - halogen 12v upright mount LH

Specification:

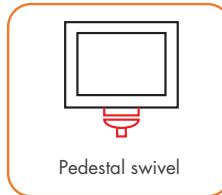
- High / low beam meets ECE R112
- Additional functions: Turn signal , pilot light
- IP66 rated
- Upright version 12 volt only
- Rear bolt mounting 24 volt only
- IP 66 – IP 69K
- Operating temp: -40°C to $+85^{\circ}\text{C}$
- Salt spray: ISO 9227
- Lens: hardened glass
- Housing: Black fibre reinforced plastic



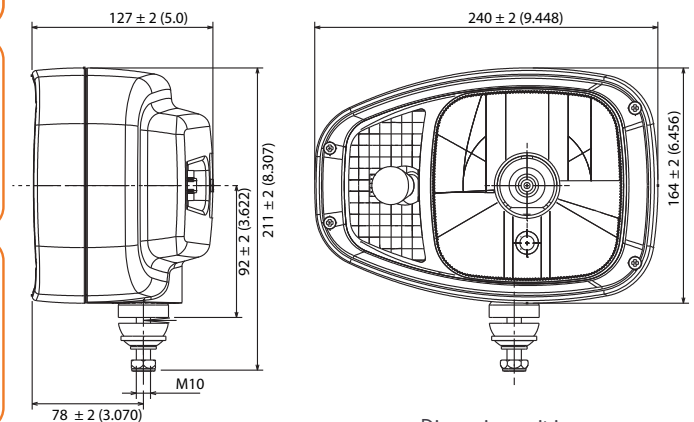
DT 6 way connection



Rear Swivel



Pedestal swivel



Dimension unit in mm

This is the latest product from Ashtree Vision and Safety, one of Europe's premier designers and manufacturers of mirrors, mirror arms and specialists in warning and safety products. Ashtree have a mission to increase visibility and create solutions for blind spots on all types of vehicle and machine.

Ashtree are based in Yorkshire with over 40% of production exported to customers in Europe, Asia, Africa, North America and Australasia.

A lot has happened since we started our journey in 1977 but you can be confident that Ashtree has the product range to suit your vehicles.

Available from:

