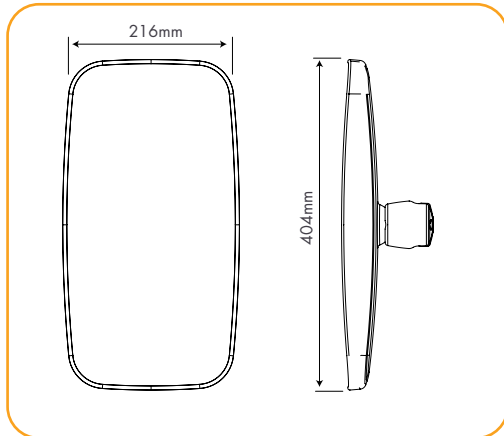


NEW

# The New Universal Class II Mirror from Ashtree

Widely used on construction and agri machinery, the M703CE is a Universal mirror that provides excellent visibility for operators. The mounting clamp rotates through 360 degrees allowing the mirror to be fitted to arms that are horizontal, vertical, or any place in between.



The S2000 series extending arms, from Ashtree, are just a few of the mirror arms that could be used with the M703CE mirror.

**Part number: M703CE**

**Specification:**

- Approved for: Class II applications
- Approval number: E11 049212
- Dimensions: 404mm x 216mm
- Fitment: 16-28mm diameter arms



This is the latest product from Ashtree Vision and Safety, one of Europe's premier designers and manufacturers of mirrors, mirror arms and specialists in warning and safety products. Ashtree have a mission to increase visibility and create solutions for blind spots on all types of vehicle and machine.

Ashtree are based in Yorkshire with over 40% of production exported to customers in Europe, Asia, Africa, North America and Australasia.

A lot has happened since we started our journey in 1977 but you can be confident that Ashtree has the product range to suit your vehicles.



Available from:



 @Ashtreevision  
 info@avsuk.co  
[www.avsuk.co](http://www.avsuk.co)