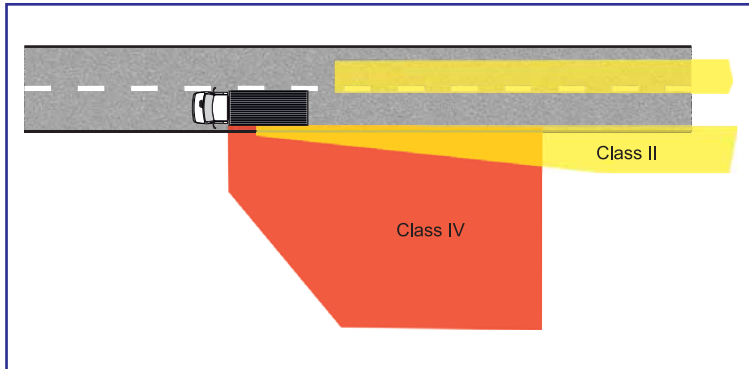


## AVS-VIS1000, R46 approved, class II & IV CMS System

A truck and bus driver's rearward fields of visibility are covered by devices approved to class II & IV, please see illustration below. These are traditionally mirrors, but increasingly, cameras are being used more and more.



The Ashtree AVS-VIS 1000 CMS system has been class II & IV, R46, approved in Europe, for use on road going vehicles. With left and right hand side versions available these are suitable for use on many types of vehicle.

The low-profile camera pod will help reduce street furniture strikes and could help lower fuel consumption while the IP69K cameras are good for use in all weather conditions. In lower light the system will automatically switch to a night vision mode.

The 12.3", split screen HD monitor, will operate on power supplies ranging from 12v-36v.

For full technical specifications please contact Ashtree.



AVS-1000MON

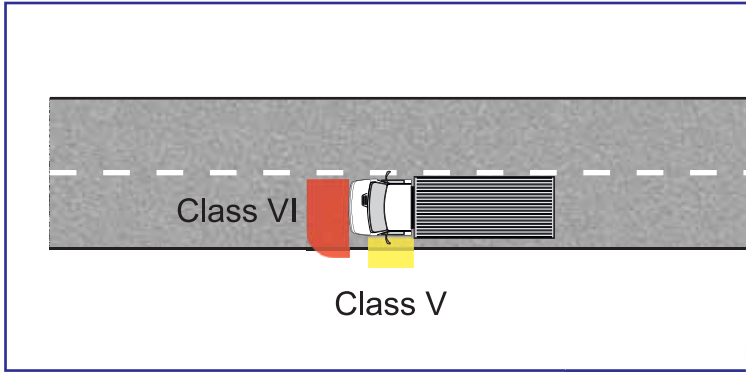


We can supply a range of various mounting brackets, but the monitor was designed to be used with our unique clamp that will connect to 10-20mm diameter poles.



## AVS-VIS2000, R46 approved, class V & VI CMS System

The class V & VI fields of visibility, please see image below, are particularly important when vehicles are in areas with people around or involved in low-speed manoeuvring. Vulnerable road users can be lost from sight if they are at the front, or close to the side, of a truck or bus. This system gives great visibility of the front, class VI or on the kerb side, class V.

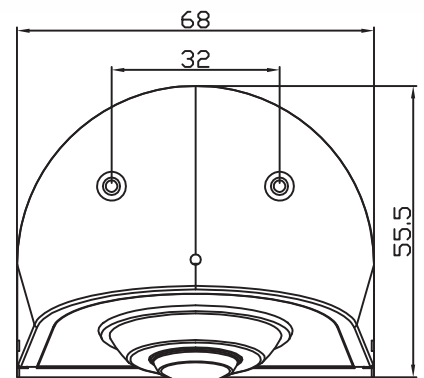
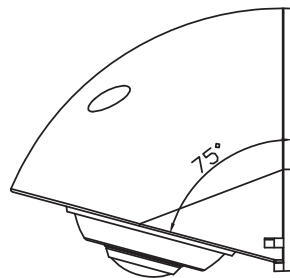


Available  
in 2024

The monitor starts up in only two seconds. It operates from 12-32v, has a 7" screen, 180mm x 120mm and the LED backlit panel has 1024 x 600 pixel resolution.



AVS-2000CAM



The camera is powered from the monitor and has an IP68 waterproof rating. The camera is angled to create the best possible viewing angle and mounts on two holes on the top of the housing.

For full technical specifications please contact Ashtree.

## 7.0" REVERSING CAMERA KIT



**AVS-STDCAM**

**7 inch HD monitor**

### AVS-CCTV300

- 7 inch Full color HD monitor with audio
- 3 Camera inputs
- ECE R10 (E24) & UKCA approved
- IP68 rated camera, angle 110 degrees
- 18 Infrared LEDs Night Vision Camera
- 15m extension cable included
- Power supply DC 12-32V
- Display resolution 1024(H) x RGB x 600(V)
- Colour system NTSC/PAL

### AVS-CCTVEXT10M AVS-CCTVEXT15M AVS-CCTVEXT20M

10m, 15m or 20m extension cable for mounting additional cameras



## Accessories



**AVS-CCTV201**

CCTV Digital 10.1 inch monitor.



**AVS-STDCAM**

Standard camera, CMOS with microphone, angle 120 degrees. IP68K



**AVS-MIRRCAM**

Additional side camera - mirror arm mounted



**AVS-SIDCAM**

Additional side blind spot camera



## 7.0" WIFI REVERSING CAMERA KIT



7 inch wireless monitor

Take the hassle out of cabling with our 7inch wireless CCTV system\*. The monitor is capable of supporting up to 4 cameras and has a built in DVR for continuous recording making this a very flexible option should you wish to upgrade at a later time.

### AVS-WIRELESSCAM1

additional cameras available

### AVS-WIRELESS7KIT

#### Wireless Monitor Specification:

- 7 inch wireless monitor with split screen and built in DVR (SD card not included)
- Transmitter distance 30-120m
- Full HD display with audio
- 4 camera capable
- 10-30v
- Includes 1 x monitor, 1 x camera

#### Wireless Camera Specification:

- 2.4GHz digital transmitter
- 120 degrees view angle
- Ip68
- With audio



AVS-WirelessCam1

\*Monitor and camera require 10-30v power supply