

# Mirror Glass, Elements, Brackets and Accessories



After a few years of simply importing and distributing glasses Ashtree made a decision to open a dedicated glass cutting department in 1982. It's quite a grand title but at the time it was only one person who cut the glass using manual glass cutting equipment. It's all changed since then. We now have three automatic glass cutting machines as well as a semi automatic machine for cutting deep radius glass.

After the glass has been cut it is shatter proofed to European Union standards using the automated glass taping machine that we had specially built for the job.

The following pages show the standard range of glasses that we keep in stock. We can also cut glass to customers requirements, subject to minimum quantities.

G200CE	177 x 125	<b>ASHTREE M2000CE / M200CE / M2000CEA2</b> / Universal 7 inch x 5 inch	Convex (1200r)
G200FE	177 x 125	<b>ASHTREE M2000FE / M200FE / M2000FEA2</b> / Universal 7 inch x 5 inch	Flat
G209CE	203 x 130	<b>ASHTREE M0209CE</b> / Land Rover (new model) / Sherpa / Leyland DAF 200 / 400	Convex (1200r)
G2231CEHc	185 x 95	<b>ASHTREE M922CEH / M922FEH / M923CEH / M923FEH</b>	Convex (300r)
G223CEHc	185 x 95	<b>ASHTREE M902CEH / M9021CEH / M902FEH / M903CEH / M9031CEH / M903FEH</b>	Convex (400r)
GW232CE	174 X 129	<b>ASHTREE M925CEH/M926CE</b> wide angle mirror lens with backplate	Convex (300)
G2371CEHc	173 X 176	<b>ASHTREE M920CEH / M9201CEH</b>	Convex (300r)
G2381CE	174 X 174	<b>ASHTREE M2381CE</b>	Convex (300r)
G2382CE	174 X 174	<b>ASHTREE M2382CE</b>	Convex (200r)
G238CE	174 x 174	<b>ASHTREE M238CE</b>	Convex (400r)
G250CE	198 x 198	<b>ASHTREE M250CE/M250CEB</b>	Convex (300r)
G400CE	234 x 155	<b>ASHTREE M400CE / DESMO 355</b>	Convex (1200r)
G4101CE	236 x 152	<b>ASHTREE M3101CE / M3101CEB / M4101CE</b>	Convex (1800r)
G4102CE	236 x 152	<b>ASHTREE M3102CE / M3102CEA1 / M4102CE</b>	Convex (400r)
G410CE	236 x 152	<b>ASHTREE M310CE / M310CEB / M310CEA1 / M410CE / M440CE / M440CEB / M440CEA2</b>	Convex (1200r)
G410FE	236 x 152	<b>ASHTREE M310FE / M310FEB / M310FEA1</b>	Flat
G422CE	229 x 147	LDV Convoy (left hand)	Convex (1800r)
G423CE	230 x 150	LDV Convoy (right hand)	Convex (1800r)
G430CE	235 x 150	<b>ASHTREE M430CE / M430CEB / M430CEA1 / M430CESW</b>	Convex (300r)
GW433CE	236 x 172	<b>ASHTREE M925CEH/M926CE</b> large mirror lens with backplate	Convex (1200)
G435CE	210 x 112	<b>ASHTREE M435CE / M435CEA2</b>	Convex (300r)
G4402CE	236 x 151	<b>ASHTREE M4402CE/M4402CEB</b>	convex (450r)
G450CE	226 x 170	<b>ASHTREE M450CE / M450CEB</b>	Convex (1200)
G455CE	226 x 170	<b>ASHTREE M455CE / M455CEB</b>	Convex (300r)
G500CE	253 x 153	<b>ASHTREE M5000CE / M500CE</b> / Universal 10" x 6"	Convex (1800r)
G500FE	253 x 153	<b>ASHTREE M5000FE / M500FE</b> / Universal 10" x 6"	Flat
G504CE	250 x 150	<b>ASHTREE M504CE / M504CEA</b> / Scania	Convex (400r)
G508CE	253 x 151	Street sweepers / Renault Master / Traffic & 50	Convex (1800r)
G5201CE	291 x 170	<b>ASHTREE M5201CE</b>	Convex (1200r)
G520CE	291 x 170	<b>ASHTREE M520CE</b> / Mercedes / Duple	Convex (1800r)
G528CE	281 x 201	<b>ASHTREE M528CE</b> / John Deere	Convex (1800r)
G530CE	271 x 193	John Deere	Convex (1800r)
G5361CEHc	255 x 170	<b>ASHTREE M9021CEH / M9031CEH / M9221CEH / M9231CEH</b>	Convex (1200r)
G536CEHc	255 x 170	<b>ASHTREE M902CEH / M903CEH / M922CEH / M923CEH</b>	Convex (1800r)
G545CE	248 X 190	<b>ASHTREE M545CE / M545CEB</b>	Convex (1800r)
G555CE	255 X 175	<b>ASHTREE M555CE / M555CEB / M555CEA2</b>	Convex (1200r)
G600CE	300 x 210	<b>ASHTREE M600CE / M600CES / M600CESW</b> / Volvo / Scania	Convex (1800r)
G600FE	300 x 210	<b>ASHTREE M600FE / M600FES</b>	Flat
G601CE	337 x 193	<b>ASHTREE M601CE / M601CES</b> / Raydot CM500	Convex (1800r)
G602CE	331 x 214	<b>ASHTREE M602CE</b> / Bedford / Seddon Atkinson / Foden / ERF / Britax	Convex (1800r)
G6101CE	309 x 178	<b>ASHTREE M6101CE</b>	Convex (1200r)
G610CE	309 x 178	<b>ASHTREE M610CE</b> / MAN / VW	Convex (1800r)
G613CE	347 x 196	<b>ASHTREE M613CE / M0613CE / M6013CE-BLACK</b> / Iveco / Ford Eurocargo / Seddon Atkinson	Convex (1800r)
G624CE	300 x 214	Steyr / KHD	Convex (1800r)
G6261CE	315 x 225	<b>ASHTREE M6261CE</b>	Convex (1200r)
G626CE	315 x 225	<b>ASHTREE M626CE</b> / Case / McCormick / Massey Ferguson / New Holland	Convex (1800r)
G627CE	321 x 182	Valmet	Convex (1800r)
G629CE	304 x 218	Deutz	Convex (1800r)
G640CE	310 x 205	<b>ASHTREE M640CE / M640CEB</b>	Convex (1200)
G701CE	375 x 190	<b>ASHTREE M701CE</b> / Ford Cargo /  Leyland / DAF / Foden / Volvo / Plaxton	Convex (1800r)
G702CE	356 x 170	<b>ASHTREE M702CE / M0702CE</b> / Mercedes / Duple	Convex (1800r)
G703CE	396 x 208	<b>ASHTREE M703CE</b> / ERF / AWD / Foden	Convex (1800r)
G7141CE	362 x 174	<b>ASHTREE M7141CE</b>	Convex (1200r)
G714CE	362 x 174	<b>ASHTREE M714CE</b> / Volvo / Magirus Deutz / MAN / Iveco	Convex (1800r)
G714CEHc	362 x 174	<b>ASHTREE M912CEH</b>	Convex (1800r)
G714FE	362 x 174	<b>ASHTREE M714FE</b>	Flat
G725CE	381 X 182	<b>ASHTREE M725CEB</b>	Convex (1200r)
G800CE	415 x 220	<b>ASHTREE M800CE</b> / Scania	Convex (1800r)
G801CE	407 x 184	<b>ASHTREE M0801CE</b> / Mercedes	Convex (1800r)
G802CE	430 x 193	<b>ASHTREE M802CE</b> / Volvo	Convex (1800r)
G811CE	405 x 190	Irizar coach	Convex (1800r)
GW815CEH	430x200	Scania 4 series main mirror lens with backplate	convex (1800)
G820CE	402 X 209	<b>ASHTREE M820CE</b>	Convex (1800r)
G8231CE	409 x 209	<b>ASHTREE M8231CE</b>	Convex (1200)
GW927CEH	370 x 173	<b>ASHTREE M927CEH</b>	Convex (1200)

# Mirror Glass, Elements, Brackets and Accessories

G200CE 177 x 125  
**ASHTREE M2000CE / M200CE / M2000CEA2**  
 G200FE 177x 125  
**ASHTREE M2000FE / M200FE / M2000FEA2**  
 Universal 7 inch x 5 inch

G209CE 203 x 130  
**ASHTREE M0209CE**  
 Land Rover (new model)  
 Sherpa / Leyland DAF 200 / 400

G2231CEHc 185 x 95  
**ASHTREE M922CEH / M922FEH / M923CEH / M923FEH**

G223CEHc 185 x 95  
**ASHTREE M902CEH / M9021CEH / M902FEH / M903CEH / M9031CEH / M903FEH**



GW232CE  
**ASHTREE M925CEH/M926CE WIDE ANGLE LENS**

G2371CEHc 173 x 176  
**ASHTREE M920CEH / M9202CEH**  
 G2371CEHc 173 x 176  
**ASHTREE M920CEH / M9201CEH**

G238CE 174 x 174  
**ASHTREE M238CE**  
 G2381CE 174 x 174  
**ASHTREE M2381CE**

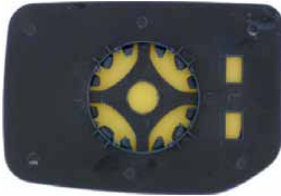
G250CE 198 x 198  
**ASHTREE M250CE / M250CEB**

G400CE 234 x 155  
**ASHTREE M400CE / DESMO 355**  
 G4001CE 234 x 155  
**ASHTREE M4001CE / DESMO 365**

G4101CE 236 x 152  
**ASHTREE M3101CE / M3101CEB / M4101CE**  
 G4102CE 236 x 152  
**ASHTREE M3102CE / M3102CEA1 / M4102CE**  
 G410CE 236 x 152  
**ASHTREE M310CE / M310CEB / M310CEA1 / M410CE / M440CE / M440CEB / M440CEA2**  
 G410FE 236 x 152  
**ASHTREE M310FE / M310FEB / M310FEA1**

G422CE 229 x 147  
 LDV Convoy (left hand)

G423CE 230 x 150  
 LDV Convoy (right hand)



GW427CEL  
 Transit LHS 2000 on



GW427CER  
 Transit RHS 2000 on

G430CE 235 x 150  
**ASHTREE M430CE / M430CEB / M430CEA1 / M430CESW**



GW433CE  
**ASHTREE M925CEH/M926CE MAIN LENS**

G435CE 210 x 112  
**ASHTREE M435CE / M435CEA2**

G4402CE 236 x 151  
**ASHTREE M4402CE / M4402CEB**

G450CE 226 x 170  
**ASHTREE M450CE**

G455CE 240 x 155  
**ASHTREE M455CE**

G500CE 253 x 153  
**ASHTREE M5000CE / M500CE**  
 G500FE 253 x 153  
**ASHTREE M5000FE / M500FE**

G504CE 250 x 150  
**ASHTREE M504CE / M504CEA**  
 Scania

G508CE 253 x 151  
**ASHTREE M0508CE / M0508CEA**  
 Street sweepers / Renault Master / Traffic & 50

G520CE 291 x 170  
**ASHTREE M520CE**  
 Mercedes / Duple  
 G5201CE 291 x 170  
**ASHTREE M5201CE**

G528CE 281 x 201  
**ASHTREE M528CE**  
 John Deere

G530CE 271 x 193  
 John Deere

G5361CEHc 258 x 175  
**ASHTREE M9021CEH / M9031CEH / M9221CEH / M9231CEH**  
 G536CEHc 258 x 175  
**ASHTREE M902CEH / M903CEH / M922CEH / M923CEH**

# Mirror Glass, Elements, Brackets and Accessories

G545CE 248 x 190  
ASHTREE M545CE / M545CEB

G555CE 255 x 175  
ASHTREE M555CE / M555CEB /  
M555CEA2

G600CE 300 x 210  
ASHTREE M600CE / M600CES /  
M600CESW  
Volvo Scania  
G600FE 300 x 210  
ASHTREE M600FE / M600FES

G601CE 337 x 193  
ASHTREE M601CE / M601CES  
Raydot CM500

G602CE 331 x 214  
ASHTREE M602CE  
Bedford / Seddon Atkinson / Foden / ERF / Britax

G610CE 309 x 178  
ASHTREE M610CE  
MAN / VW  
G6101CE 309 x 178  
ASHTREE M6101CE

G613CE 347 x 196  
ASHTREE M613CE / M613CE / M613CE-BLACK  
Iveco / Ford Eurocargo / Seddon Atkinson

G624CE 300 x 214  
Steyr / KHD

G626CE 315 x 225  
ASHTREE M626CE  
Case / McCormick / Massey Ferguson / New Holland  
G6261CE 315 x 225  
ASHTREE M6261CE

G627CE 321 x 182  
Valmet

G629CE 304 x 218  
Deutz

G640CE 310 x 205  
ASHTREE M640CE

G701CE 375 x 190  
ASHTREE M701CE  
Ford Cargo / Leyland / Daf / Foden / Volvo / Plaxton

G702CE 356 x 170  
ASHTREE M702CE / M702CE  
Mercedes / Duple

G703CE 396 x 208  
ASHTREE M703CE  
ERF / AWD / Foden

G714CE 362 x 174 - ASHTREE M7141CE  
G7141CEHc 362 x 174  
ASHTREE M9121CEH / M9151CEH / M9161CEH / M920CEH /  
M9201CEH / M9202CEH / M9203CEH  
G714CE - ASHTREE M714CE  
Volvo / Magirus Deutz / MAN / Iveco  
G714CEHc  
ASHTREE M912CEH / M915CEH / M916CEH / M920CEH  
G714FE - ASHTREE M714FE  
G714FEHc - ASHTREE M912FEH

G725CE 381 x 182  
ASHTREE M725CEB

G800CE 415 x 220  
ASHTREE M800CE  
Scania

# Mirror Glass, Elements, Brackets and Accessories



G801CE 407 x 184  
ASHTREE M0801CE  
Mercedes



G802CE 430 x 193  
Ashtree M802CE  
Volvo



G811CE 405 x 190  
Irizar coach



GW815CEH  
SCANIA 4 SERIES MAIN MIRROR



G820CE 402 x 209  
ASHTREE M820CE



G8231CE 409 x 209  
- ASHTREE M8231CEB



GW927CEH  
ASHTREE M927CEH

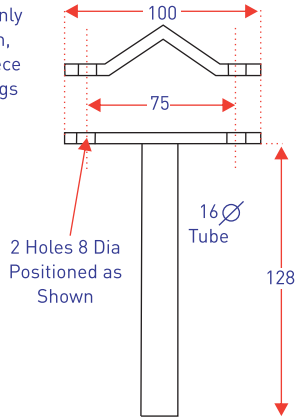


The Ashtree range of heating elements are designed to cover the largest possible range of heated mirrors currently in use. All elements are 24 volt but 12 volt versions are also available in certain sizes.

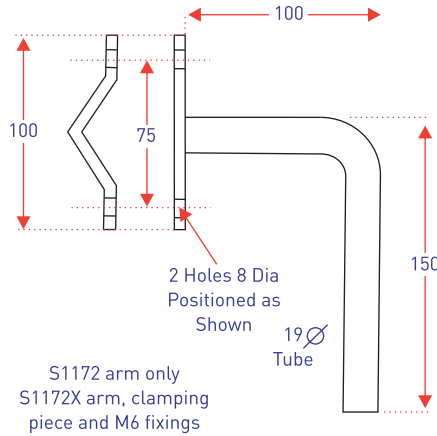
<b>Y2610</b>	318 x 175mm	24Volt
<b>Y2611</b>	173 x 137mm	24Volt
<b>Y2611-12</b>	173 x 137mm	12Volt
<b>Y2613</b>	160 x 160mm	24Volt
<b>Y2614</b>	208 x 173mm	24Volt
<b>Y2615</b>	385 x 165mm	24Volt
<b>Y2616</b>	410 x 190mm	24Volt
<b>Y2618</b>	310 x 130mm	24Volt
<b>Y2618-12</b>	310 x 130mm	12Volt
<b>Y2619</b>	250 x 145mm	24Volt
<b>Y2619-12</b>	250 x 145mm	12Volt
<b>Y2621</b>	145 x 70mm	24Volt
<b>Y2621-12</b>	145 x 70mm	12Volt

# Mirror Glass, Elements, Brackets and Accessories

S1170 arm only  
S1170X arm,  
clamping piece  
and M6 fixings

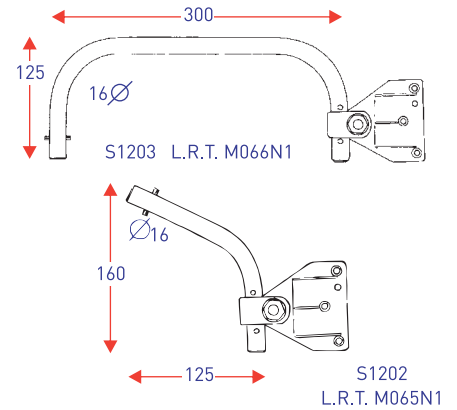


**S1170 - S1170X**



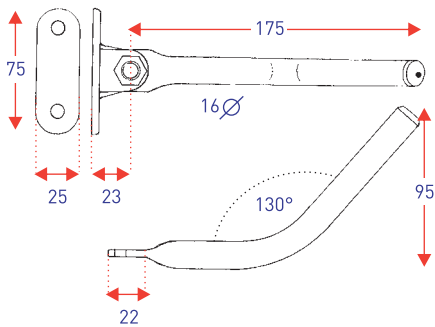
S1172 arm only  
S1172X arm, clamping  
piece and M6 fixings

**S1172 - S1172X**

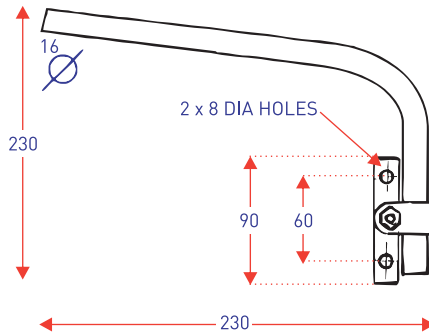


**S1202 - S1203**

MOUNTING 2 x 8mm HOLES @ 50mm crs



**S1216**



**S1217**



**S1400 - S1412**



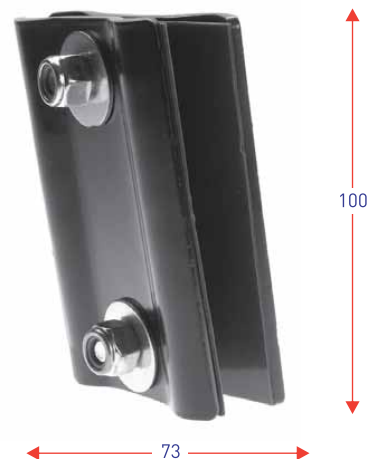
CONSTRUCTION EQUIPMENT

**S1403**



CONSTRUCTION EQUIPMENT

**S1406**



**Y2680**